



Main Features

- Quad core Intel® Celeron® processor J1900 2GHz
- 4GB of DDR3L SO-DIMM memory
- 15" 4:3 XGA (1024x768) P-cap true flat touch display with IP65-rated front panel
- Fanless design
- 320GB 5,400rpm 2.5" HDD
- 2 x Mini-PCIe, 4 x COM, 2 x USB 3.0, 2 x USB 2.0, 1 x VGA, 1 x GbE LAN
- 24VDC 120W Power brick
- Optional peripheral expansion: MSR, fingerprint, VFD, 2nd display, cash drawer, scanner

Product Overview

NEXCOM has released the fanless POS NPT 1562 to help increase checkout speed and sales at checkout counters. Powered by Intel® Celeron® processor J1900, the fanless POS NPT 1562 embodies high responsiveness, dual-display capability and ease of maintenance features, aimed to help kill off long checkout lines and generate more revenue for retailers and restaurants.

Specifications

System Processor

- Motherboard: NP-BYT0-B/C/D
- Processor: Intel® Celeron® processor J1900, 4C, 2.0 GHz, 2MB Cache
- Chipset: Integrated in Intel® Atom™ SoC
- System Memory: 1 x SO-DIMM DDR3L 1333 4GB
- Graphics: Integrated graphics controller, Intel's Gen 7 graphics and media encode/decode engine

LCD Touch Screen

- LCD Size: 15" TFT XGA (1024x768) 250cd/m² LED Panel
- Touch Screen: 15" Zero Bezel Projected Capacitive Touch Panel
- Tilt Angle: 0° ~ 80°

Storage Device

- 1 x 2.5" SATA HDD 320GB 5,400rpm Removable type

Expansion

- 1 x Full size mini-Card slot (mini-PCIe/USB/3G SIM slot)
- 1 x Half size mini-Card slot(mini-PCIe/USB)

Rear I/O

- Serial port: 4 x DB-9 Powered RS-232 (adjust RI/5V/12V by BIOS setting)
- USB port: 2 x USB 3.0, 2 x USB 2.0
- Parallel port: 1 x DB-25 Parallel Optional
- LAN Port: 1 x RJ-45 (10/100/1000Mbps Ethernet)
- VGA: 1 x DB-15 VGA
- Cash Drawer Port: 1 x RJ-11, support Two Cash Drawers (24V, Max 1.1A)
- DC-IN Jack: 1 x DC-24V Input
- DC-OUT Jack: 1 x DC-12V Output for 2nd Display Power (12V, Max 3.0A)
- Line-OUT/MIC: 1 x Line-OUT for External Audio Speaker

Audio

- 1 x System Buzzer

System Control/Indicator

- Power Switch: 1 x Power ON/OFF switch
- Power LED: 1 x Power ON LED (Green)

Power

- External AC DC 24V/5A 120W Power Brick

Peripheral (Optional)

- MSR: ISO 3 Tracks MSR (USB/RS-232 combo interface or PS/2)
- MSR/Fingerprint Combo: ISO 3 Tracks MSR (PS/2) & Fingerprint (USB) combo
- Customer Display: 2 x 20 VFD customer display
- 2nd Display: 15" LCD monitor

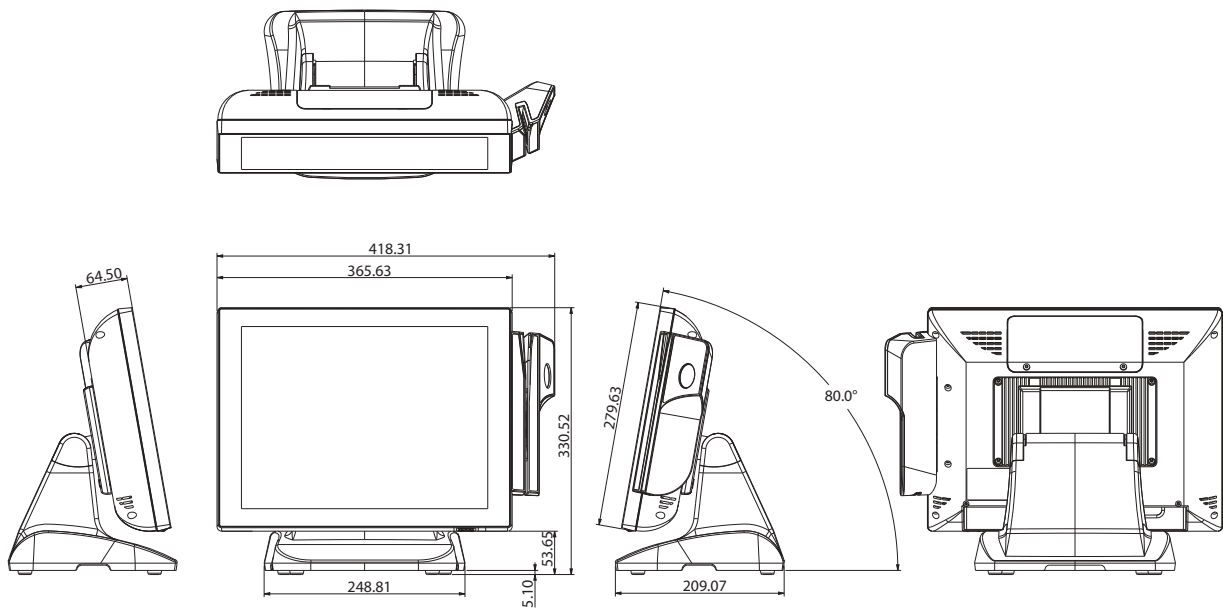
Environment

- Operating Temperature: 0°C ~ 40°C (32°F ~ 104°F)
- Storage Temperature: -20°C ~ 60°C (-4°F ~ 140°F)
- Operating Humidity: 20% - 80% RH non-condensing
- Storage Humidity: 20% - 85% RH non-condensing

Dimension

- 80° tilt angle: 366mm (W) x 331mm (H) x 210mm(D) (No MSR)
- 80° tilt angle w/ MSR: 419mm (W) x 331mm(H) x 210mm (D)
- Display Head: 366mm (W) x 280mm (H) x 64.5mm(D)
- Display Head w/ MSR: 419mm (W) x 280mm (H) x 64.5mm (D)
- Footprint: 249mm (W) x 209mm (D)
- Package Size: 490mm (L) x 390mm (W) x 400mm (H) (No MSR)
560mm (L) x 390mm (W) x 350mm (H) (w/ MSR)

Dimension Drawing



Weight

- Net Weight: 8.0kg (17.6lbs)
- Gross Weight: 9.5kg (20.9lbs)

Operating System

- Windows: Windows 8, WES 8, POS 7, Win 7 Pro, WES 7
- Linux: Fedora 17, TIZEN

Certificate

- FCC / CE / LVD

Ordering Information

◆ NPT-1562-036 (P/N: A0Y00156200X0)

- CPU: Intel® Celeron® processor J1900 2GHz
- LCD/ Touch: 15" XGA 1024x768 250nits with LED backlight/P-cap true flat touch display
- Memory: 4GB DDR3 SO-DIMM
- HDD: 320GB 2.5" SATA 5,400rpm
- Power: DC-24V/ 120W Power Brick
- Color: Black